



TESTMACLAB

DISINFECTION SYSTEMS

**LUGGAGE
DISINFECTION
DEVICE**



DISINFECTION

Luggage Disinfection Device



PRODUCT MODEL

LDS500	LUGGAGE DISINFECTION DEVICE, 220-240V 50/60Hz
LDS500 /110	LUGGAGE DISINFECTION DEVICE, 110-120V 60Hz

INFORMATION

Manufacturer	TESTMACLAB LABORATUVAR TEST CİHAZLARI PAZARLAMA VE DIŞ TİCARET LTD. ŞTİ.
Country of Origin	TURKEY
Product Name	LUGGAGE DISINFECTION DEVICE

Luggage Disinfection Device

OUR CERTIFICATES



Luggage Disinfection Device

DESCRIPTION

As Testmak, our design team started to work to find solutions to some of our problems to combat the corona virus outbreak. Luggage (suitcases, suitcases, bags) is one of the points where the probability of infection is high. Baggage transfer points have high potential to transfer the virus while traveling.

You can prevent the possibility of virus infection with Testmak luggage disinfection systems at the delivery points where the baggage is delivered to the user. To prevent the spread of viruses, baggage, luggage, bags and luggage disinfection is important.

SPECIFICATIONS

- Fully automatic contactless disinfection.
- Aspirator system that provides suction with strong fan.
- Contactless disinfection with Sensor Conveyor and dosing system.
- AISI 304 quality stainless steel body, chassis and installation.
- Excellent steam system.
- 30 Liter Disinfectant tank.
- Minimum consumption, maximum efficiency.
- Modular design, easy installation.
- Certificate of conformity and test report according to CE 2006/42 / AT Machinery Safety Regulation.

IMPORTANT WARNINGS FOR LUGGAGE (LUGGAGE-BAGS-BAGS) DISINFECTION SYSTEM USE

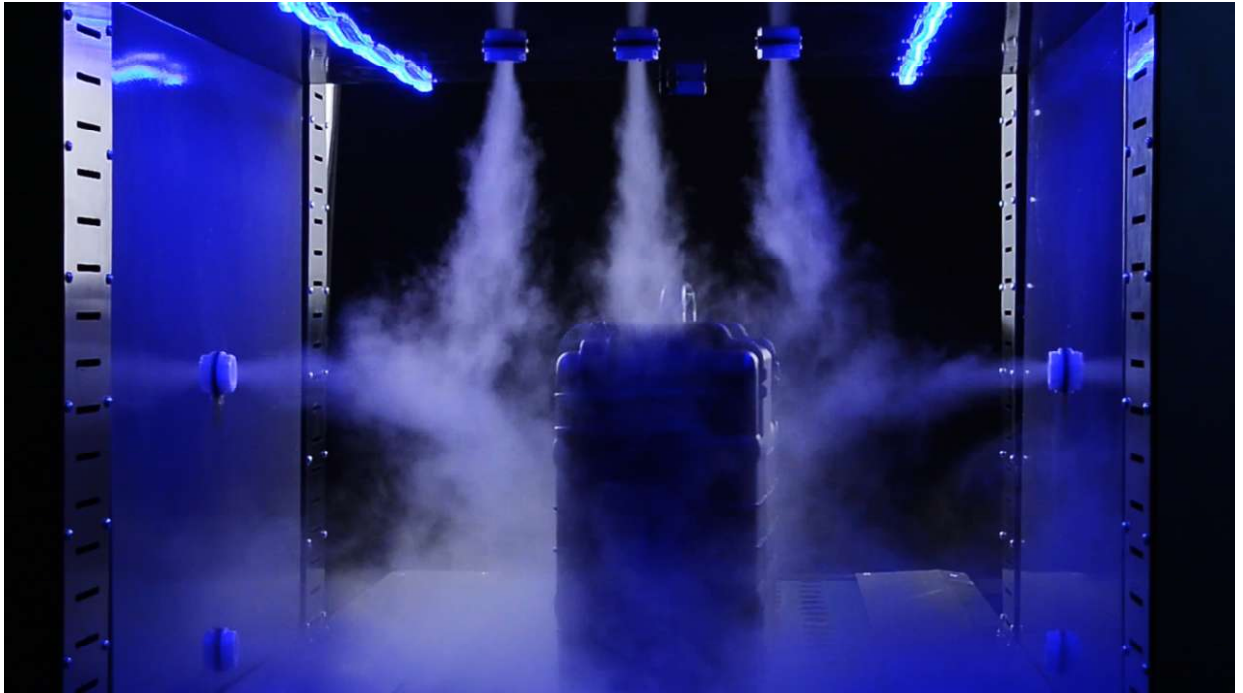
- Inhalation of disinfection fluid and eye contact will damage your health.
- It is obligatory for the personnel in charge to use protective mask and goggles during the disinfection system.
- The disinfectant spraying out of the system during the disinfection process was prevented by the ventilation system.
- However, in case of any malfunction, do not breathe disinfectant liquid spraying outside the system and protect your eyes.
- If disinfectant liquid comes in contact with the eyes, wash your eyes with plenty of water.
- If disinfectant fluid is inhaled, go to the nearest health institution.
- Do not pour flammable, flammable and flammable disinfectant fluids into the disinfection system tank and do not allow it to be used.
- Use the disinfection system under the control of the staff. Do not allow the system to be opened and the disinfection tank to be filled, except for authorized persons.

Luggage Disinfection Device

- It is mandatory for the personnel in charge to use appropriate gloves, masks and goggles when filling the disinfection liquid into the system tank.
- In case of a malfunction that may occur in the disinfection system, inform the authorized personnel.
- Do not allow anyone to intervene in the system, except for uneducated personnel.
- Keep the system under control in a safe area against malicious people.

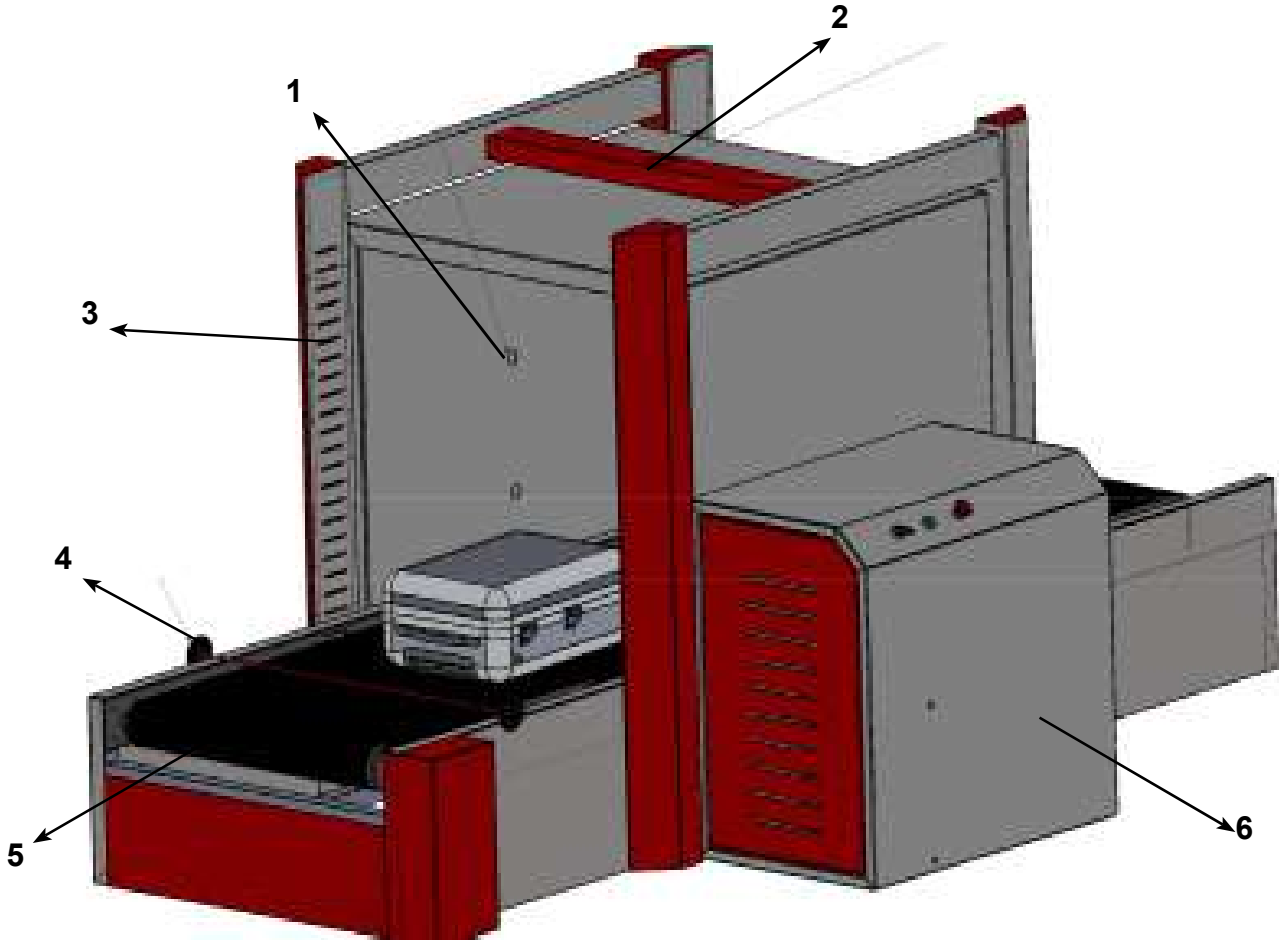
TECHNICAL SPECIFICATIONS

Dispenser Tank Volume	30 Liter
Dimensions	300x130x170 cm
Weight (approx.)	380 kg
Power	220-240 V 50/60 Hz



Luggage Disinfection Device

CONFIGURATION



1- 9 qty steam exit areas with good fogging feature. (9 qty steam exit areas in total, 4 on the side walls and 3 on the top and 2 under belt.)

2- Snail fan for building air wall.

3- Air ducts

4- Sensitive laser sensor to detect up to 1 meter. It can detect even the smallest luggage.

5- Moving belt system

6- Control unit and disinfectant storage cabinet.

Luggage Disinfection Device

1- STEAM PIPES

The pipes used in the system are PVC pipes and are resistant to corrosion. It is suitable for the steam method to prevent any wetting during disinfection. There are 9 steam exit areas, 4 on the side walls and 3 on the top and 2 under belt.



2- SNAIL FAN



It is one of the industrial fan types. It is mostly used in industrial areas. Snail is a model of radial fans. It is made of quality materials and offers a long-lasting usage performance with its durable structure. As a ventilation fan, air pulling power is high. In this way, it offers high efficiency. By pulling the air in the environment, it provides an air wall to the air ducts at the entrances of the machine. Bearing motor bearings are available. It provides quiet and long-term use without maintenance. The radial fan has a minimum vibration level and has passed the dynamic and static balance tests conducted in accordance with ISO 1940 standards. It is one of the silent fan systems.

Current	0.39 (A)
Pressure	410 (Pa)
Flow rate	170 (m ³ / hour)
Speed	1850 (Rpm)
Noise Levels	38 (dB (A))
Dimensions	155x192x132 mm
Ambient Temperature	-30 / 180 (° C)
Power	220-240 V 50/60 Hz 44 W

Luggage Disinfection Device

3- AIR DUCTS

Air ducts are manufactured stainless steel material. Air ducts are used to prevent the disinfectant from coming out. Thanks to the air ducts, disinfection constantly penetrates the luggages remaining in the cabin.

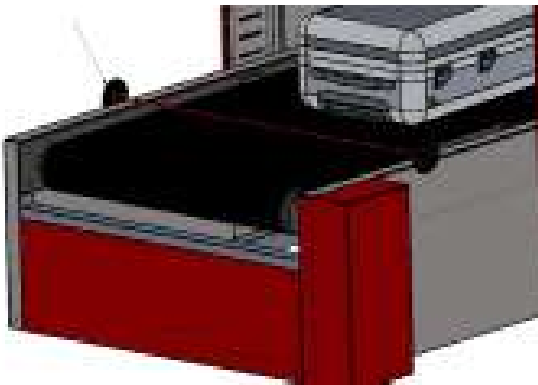


4- LASER SENSORS



Laser sensors can detect even the smallest luggage thanks to its high detection feature. It helps the task of disinfecting the system by working for every baggage it detects.

5- MOVING BELT SYSTEM



The belt system moves with the help of an engine and provides the movement of the trunk within the system.

Luggage Disinfection Device

6- CONTROL CABINET



It is the cabin where the steam unit, electrical system and disinfectant tank fittings are located.

There is electrical on / off switch, emergency stop button and start stop button on the cabin. In addition, there is an alarm system of the level sensor connected to the disinfection tank. Thanks to the alarm, the system warns the user by giving an alarm if the disinfectant decreases in the disinfectant tank.

6.1- STEAM UNIT



5L / h Ultrasonic Nebulizer 10 Heads Fogger Humidifier Greenhouse Aeromist Hydroponics + Switching Power Supply. 2 sets are used on the system.

Atomization Capacity	5L/H
Voltage	DC48V
Current	5A
Power	240 W
Water Shortage Protection	Stainless Steel Floating Ball /Bule floating ball / black capacitor type
Floating Ball Material	SUS304/PP
Shell Material	SUS304
Pressing Ring Material	Copper / Stainless Steel
Dimensions	280x90x72 mm
Weight	1.6 kg

Luggage Disinfection Device

6.2- CURTAIN SYSTEM

Thanks to the curtain system, it ensures that the disinfection steam formed in the cabin has a more intense effect on the luggage. In addition, no disinfection steam comes out.



6.3- DISINFECTION TANK



Disinfection tank is made of stainless steel. It has a capacity of 30 liters. 4000 luggage can be disinfected with an average warehouse.

6.4- CONTROL BUTTONS

ON/OFF BUTTON: It is used to power the device.

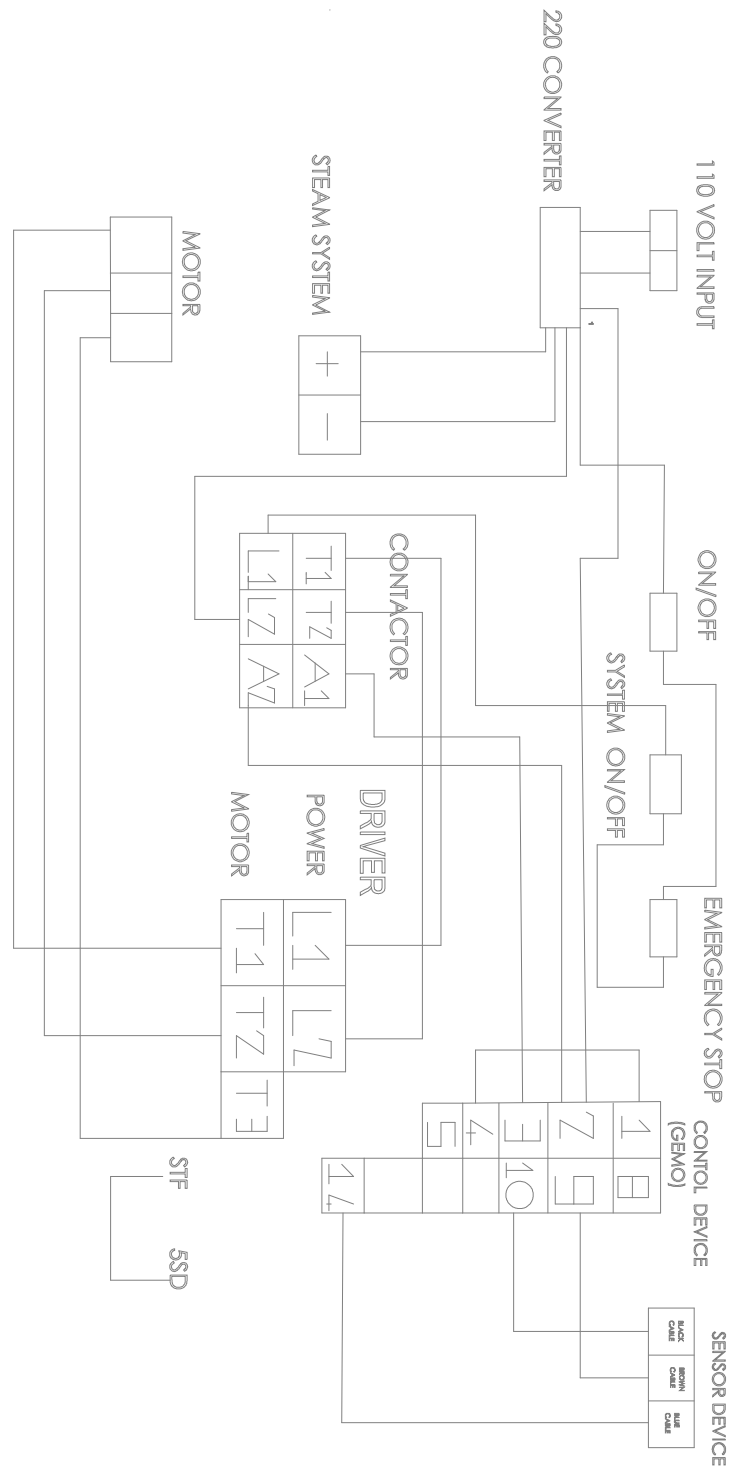
START BUTTON: It provides the operation of the belt system and disinfection system of the device.

STOP BUTTON: It ensures that the tape system and disinfection system of the device are stopped.

EMERGENCY BUTTON: In emergencies, it stops the device by cutting off the power of the device.

Luggage Disinfection Device

7- ELECTRICAL DIAGRAM





Telephone : +90 312 395 36 42
Fax : +90 312 395 36 01

Website : www.testmak.com
E-Mail : info@testmak.com

Koca Sinan Industrial Sites 1183 Street No:
40 06370 OSTIM / ANKARA / TURKEY