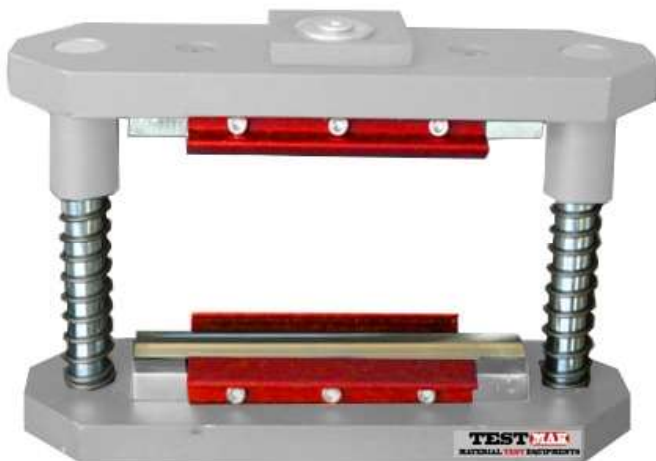


**Cube Splitting Tensile
Apparatus**



CONCRETE

Cube Splitting Tensile Apparatus



PRODUCT MODEL

TMC-5252 Cube Splitting Tensile Apparatus for 100 mm and 150 mm Cube Moulds

STANDARDS

EN 12390-6 | ASTM C496 | BS 1881:117

INFORMATION

Manufacturer : TESTMAK INS.LAB.MAK.SAN.VE TİC. PAZ. İTH. İHR. LTD. STİ

Country of Origin : TURKEY

Product Name : Cylinder Splitting Tensile Apparatus

Code of Product : TMC-5252

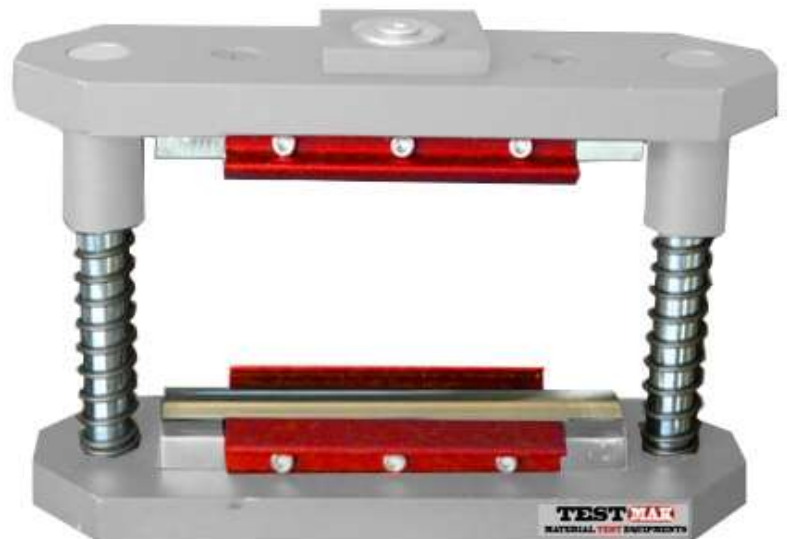
Cube Splitting Tensile Apparatus

DESCRIPTION

The Cube Splitting Tensile Apparatus is used for splitting for road tiles and cubes with dimensions up to 100 and 150 mm. It is fixed directly on pressure plates.

TECHNICAL SPECIFICATIONS

P.Code	TMC-5252
Dimensions	350x250x264 mm
Weight	16 kg





TM TEST MAK
MATERIAL TEST EQUIPMENTS

Telephone : +90 312 395 36 42
Fax : +90 312 395 36 01

Website : www.testmak.com
E-Mail : info@testmak.com

Koca Sinan Industrial Sites 1183 Street No:
40 06370 OSTIM / ANKARA / TURKEY